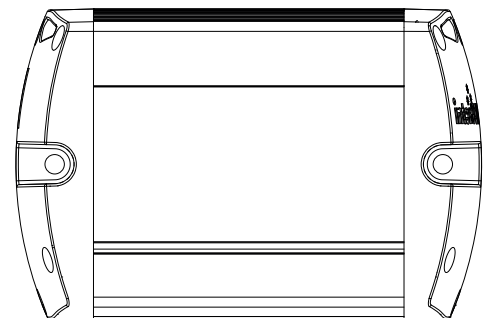
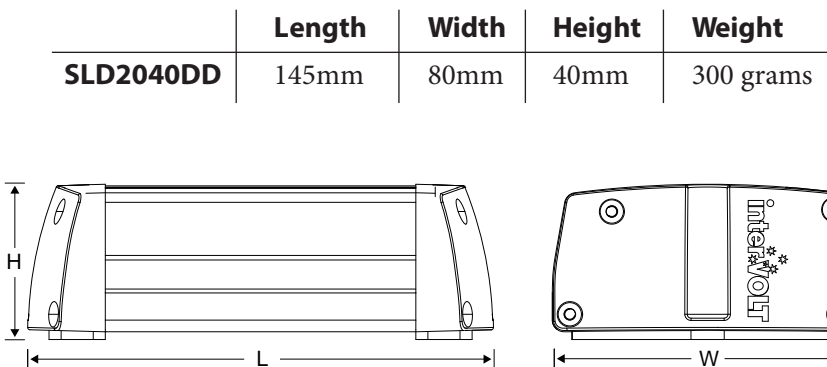




Input Voltage Range	9–33VDC
Continuous Load Rating @ 30°C	In GROUP mode 100 Watts @ 13.0VDC or 200 Watts @ 26.0VDC per channel. In UNGROUP mode 200 Watts @ 13.0VDC or 400 Watts @ 26.0VDC total overall.
Dimming Voltage Range	10–98% of input voltage
Standby Current Draw	<10mA
Operator	One single pole momentary push switch (normally open) for each channel. Multiple switches can be used within the same circuit.
Operating Temperature	-25°C to + 45°C
Operating Humidity	Ideally less than 90%
Materials - Enclosure	Marine grade aluminium dye anodised
End Cap	Injection moulded electrical grade ABS/PC plastic
Terminal Cover	Extruded temperature resistant ABS
Diagnostic Indicator	Tri-colour LED – monitoring standby mode, load on, short circuit and temperature
Electrical Protection	Transient voltage - Filtering – Purpose designed circuit Short circuit shutdown – auto reset Thermal - Foldback to 50% of rated load – auto reset Input Reverse Polarity - Internal Fuse
Termination	Power – 6-32 UNC H/D screw terminal Auxiliary – Euro terminal block
Single/Group Selection	Use selectable slide switch next to auxiliary terminal
Conformity	EMC – Australian AS2064 and European EN50081-1 / EN50082-1
Certification	EMC – Australian C Tick mark and European CE mark
Dimensions	145mm x 80mm x 40mm
Weight	300 Grams

The innovative DuoDim model is a true two channel dimmer with separate control and monitoring for each circuit which can also be combined (grouped) to form a single circuit dimmer if required. The DuoDim enables two lighting circuits to be separately controlled from one device, for example ceiling lights and reading lights can be separately switched and dimmed from one convenient source.

Models	MODEL	INPUT VOLTAGE	12V NOM. POWER RATING	24V NOM. POWER RATING
		SLD2040DD	9 – 33VDC	200 Watts @ 13.0VDC



Proudly distributed by:



16 Parkinson Lane
O'Connor WA 6163
Australia

Phone +61 8 9331 3100
Fax +61 8 9331 5150
Email mail@amelec.com.au
Web www.amelec.com.au