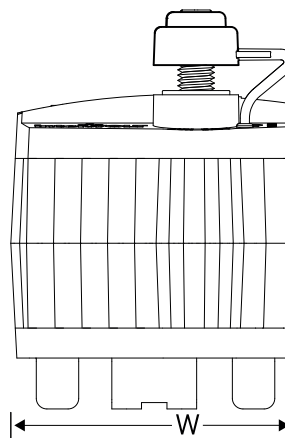
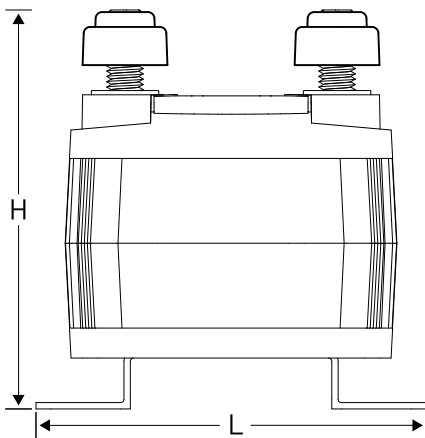




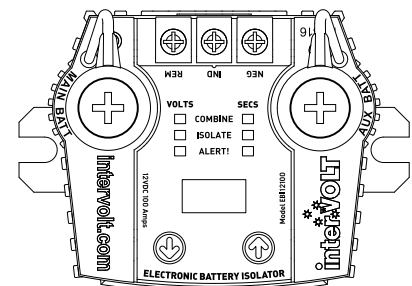
The EBI Pro is a revolution in dual battery control devices. Unlike conventional electro-mechanical isolators the EBI Pro is solid state. Solid state means no moving parts. There are no contacts to vibrate, chatter, arc, wear and ultimately – fail. The MOSFET based topology of the EBI Pro is proven. Reliability, durability and longevity are built in.

Design Application	12VDC motor vehicles
Operating Voltage	8 – 17 VDC nominal
Cont. Contact Rating	100 Amps @ 60°C ambient
Peak Current Rating	500 Amps for 5 seconds @ 10% duty cycle
Electrical Protection	Thermal overload shutdown – auto reset Electrical overload shutdown – auto reset Under voltage disconnect – auto reconnect Over voltage disconnect – auto reconnect
Device Current Draw	In 'Isolate' mode (open contacts) <30mA In 'Combine' mode (closed contacts) <40mA Add ° 10ma when LED Status Display is active Add up to 30mA for external LED indicator
Contact Resistance	Less than 2 milliohms across the switch terminals
Environmental Protection	IP67 (internal components only).
Operating Temperature	-20°C to +60°C
Operating Humidity	Up to 98%, non-condensing
Indicator Output	+12VDC (maximum 30mA)
Remote Input	+12VDC
Enclosure Housing	Heatsink – E-Coated A360 die cast aluminium Lid and Base – Electrical grade polycarbonate Mounting Bracket – Bright zinc plated steel Terminal Protector Boots – NBR rubber
Contact Terminals	Tin plated copper, stainless steel hardware
Control Terminals	Tin plated brass, stainless steel hardware
Dimensions	Footprint – 62mm x 92mm including bracket Profile – 94mm including terminal boots
Weight	495 Grams

Models	MODEL	NOM. VOLTAGE	INPUT VOLTAGE	CONTINUOUS RATING	PEAK RATING
	EBI12100A	12VDC	8 -17VDC	100 Amps @ 60°C	500 Amps - 5 Secs



Length	92mm
Width	67mm
Height	94mm



Proudly distributed by:



16 Parkinson Lane
O'Connor WA 6163
Australia

Phone +61 8 9331 3100
Fax +61 8 9331 5150
Email mail@amelec.com.au
Web www.amelec.com.au